



3D-DNR2 Bullet IR Camera

DC Auto Iris Varifocal Lens (6mm - 50mm)

NEW

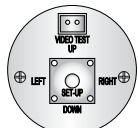


▶ **HD-N605DNR**
550TV Lines
DC Auto Iris Varifocal Lens(2.8mm-12mm)
True Day/Night Capability
ICR-IR Cut Filter Removable - option

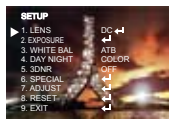
NEW



▶ **HD-N610DNR**
550TV Lines
DC Auto Iris Varifocal Lens (6mm - 50mm)
True Day/Night Capability
ICR-IR Cut Filter Removable
850nm IR LEDs * 12pcs

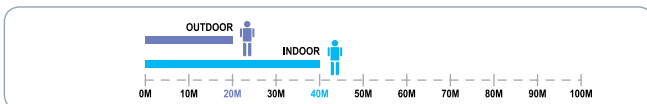


OSD Control Board



OSD

Built-in 12pcs IR LEDs, it can capture clear images as far as 20~40m away even completely darkness.



1/3" CCD	DAY & NIGHT	Minimum Illumination 0.00005Lux	Auto White Balance	Sensitivity Up 2x~255x	BLC Backlight Compensation	High Speed Shutter
Motion Detection	OSD	DC VIDEO LENS	550 Horizontal Resolution	Anti Vandal Hood Camera	IP65	DC 12V / AC 24V

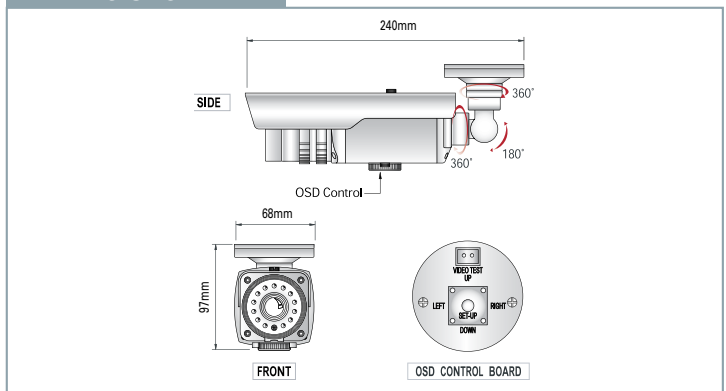
GENERAL FEATURES

- * 1/3" Sony Super HAD CCD
- * Highest Color Resolution of 550 TV Line
- * Built-in 12-power infrared LEDs with CDS sensor
- * Highest Resolution Vivid Sharp Picture in completely darkness
- * Free Adjustable of BLC, MD Area
- * Privacy Masking of Maximum 8 Area
- * DC Auto Iris Varifocal Lens(6mm-50mm),(3.5mm-16mm)-Option
- * OSD(On Screen Display) Control Function

SPECIFICATIONS

MODEL	HD-N605DNR / N610DNR	
Sensor	1/3" SONY Super HAD CCD	
Total Pixels	NTSC=811(H) * 508(V) / PAL=795(H) * 595(V)	
Effective Pixels	NTSC=768(H) * 494(V) / PAL=752(H) * 582(V)	
Scanning System	2:1 Interlace	
Synchronization	Internal / Line Lock	
O.S.D	Available	
Backlight	OFF / HSBLC / BLC Selectable	
Resolution	550TV Lines(Color), 600TV Lines(B/W)	
S/N (Y signal)	52dB (AGC Off, Weight On)	
Min. Illumination	0.00001Lux(Sens-Up * 258)	0.000006Lux(IR LED ON)
White Balance	ATW / AWB / Manual / AWC →SET	
Electronic Shutter Speed	AUTO (1/50sec, 1/60sec ~ 1/120,000sec)	
Sense-Up	Off / Auto(Selectable limit *2 ~ *258)	
Gain Control	High, Middle, Low, Off Selectable	
3 DNR	Off/On (1~50 Level Adjustable)	
D-WDR	Indoor / Outdoor / Off	
Motion Detection	On/Off (4 Zone, Alarm Output)	
Privacy	On/Off (8 Zone)	
Mirror	Off / Mirror / V-Rev / Rotate	
Freeze	On/Off	
Sharpness	0~31 (Level Adjustable)	
D&N Selection	Color /B/W/ Auto	
Digital Zoom	On(*32) / Off	
Blemish Compensation	256 Point (Even 128 Point, ODD 128 Point)	
Power	DC 12V (Dual Power AC 24V / DC 12V)-Option	
Power Consumption	120mA	CDS ON:350mA Max
Lens	DC Auto Iris Varifocal Lens (6mm - 50mm)	
Operating Temperature/Humidity	-10°C ~ +50°C, RH 95% Max.	
Storage Temperature/Humidity	-20°C ~ +60°C, RH 95% Max.	
Dimension	68mm(W) * 97mm(H) * 240mm(D)	
Weight	1800g	

DIMENSIONS



CONNECTION

3-Axis

