



3D-DNR True Day/Night Weather-proof IR Camera

DC Auto Iris Varifocal Lens(2.8mm-12mm)

NEW



► **HD-N1214DNR**
550TV Lines
DC Auto Iris Varifocal Lens(2.8mm-12mm)
True Day/Night Capability
ICR-IR Cut Filter Removable - Option

NEW



► **HD-N1215DNR**
550TV Lines
DC Auto Iris Varifocal Lens(2.8mm-12mm)
True Day/Night Capability
ICR-IR Cut Filter Removable
850nm IR LEDs * 42pcs

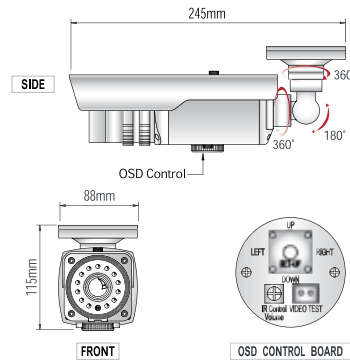
GENERAL FEATURES

- * 1/3" Sony Super HAD CCD
- * Built-In Next Generation 3D DNR with 3D Filter
- * Third-Generation DSP Chip
- * True Day & Night (ICR-IR Cut Filter Removable)
- * External Control Rings for Easy Focus & Distance Adjustment
- * Max. 258X Sens-Up, 0.00001 Lux of Maximum Illumination
- * x32 Digital Zoom
- * D-WDR(Digital Wide Dynamic Range)
- * Vivid Sharp Picture in completely darkness
- * DC Auto Iris Varifocal Lens(4mm-9mm), (3.5mm-16mm)-Option
- * Dual Power(AC 24V/DC 12V)-Option

SPECIFICATIONS

MODEL	HD-N1214DNR/N1215DNR	
Sensor	1/3" SONY Super HAD CCD	
Total Pixels	NTSC=811(H) * 508(V) / PAL=795(H) * 595(V)	
Effective Pixels	NTSC=768(H) * 494(V) / PAL=752(H) * 582(V)	
Scanning System	2:1 Interlace	
Synchronization	Internal	
O.S.D	Available	
Backlight	OFF / HSBLIC / BLC Selectable	
Resolution	550TV Lines(Color), 600TV Lines(B/W)	
S/N (Y signal)	52dB (AGC Off, Weight On)	
Min. Illumination	0.00001Lux(Sens-Up * 258)	0.000006Lux(IR LED ON)
White Balance	ATW / AWB / Manual / AWC →SET	
Electronic Shutter Speed	AUTO (1/50sec, 1/60sec ~ 1/120,000sec)	
Sense-Up	Off / Auto>Selectable limit *2 ~ *258	
Gain Control	High, Middle, Low, Off Selectable	
3 DNR	Off/On (1~50 Level Adjustable)	
D-WDR	Indoor / Outdoor / Off	
Motion Detection	On/Off (4 Zone, Alarm Output)	
Privacy	On/Off (8 Zone)	
Mirror	Off / Mirror / V-Rev / Rotate	
Freeze	On/Off	
Sharpness	0~31 (Level Adjustable)	
D&N Selection	Color /B/W Auto	
Digital Zoom	On(*32) / Off	
Blemish Compensation	256 Point (Even 128 Point, ODD 128 Point)	
Power	DC 12V (Dual Power AC 24V / DC 12V)-Option	
Power Consumption	120mA	CDS ON:500mA Max
Lens	DC Auto Iris Varifocal Lens(2.8mm-12mm)	
Operating Temperature/Humidity	-10°C ~ +50°C. RH 95% Max.	
Storage Temperature/Humidity	-20°C ~ +60°C. RH 95% Max.	
Dimension	88mm(W) * 115mm(H) * 245mm(D)	
Weight	1600g	

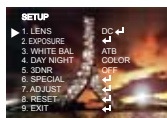
DIMENSIONS



True Day & Night
(ICR-IR Cut Filter Removable)

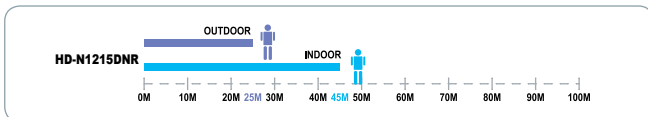


OSD Control Board



OSD

Built-in 42pcs IR LEDs, it can capture clear images as far as 25~45m away even completely darkness.



1/3" CCD	DAY & NIGHT	NIGHT DAY FILTER CHANGE	Minimum Illumination 0.00006Lux	Auto White Balance	Sensitivity Up x258	BLC Backlight Compensation
High Speed Shutter	Motion Detection	OSD	DC-VIDEO LENS	550 Horizontal Resolution	Anti Vandal Hood Camera	IP65 Protection
						DC 12V / AC 24V

CONNECTION

3-Axis

