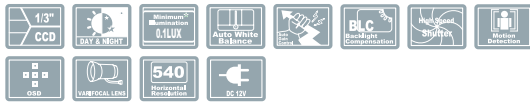


# Mini Ball Dome Camera(Color)



■ **HD-N04RI**  
 540TV Lines  
 3.4mm Cone Lens  
 850nm IR LEDs \* 12pcs  
 Dimension:48(W)\*37(H)\*55(D)



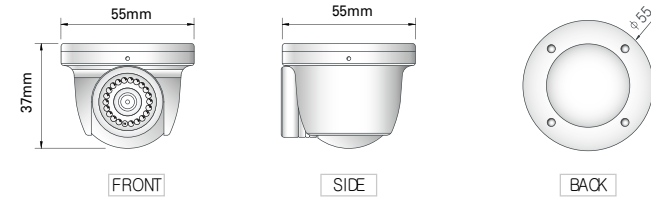
## SPECIFICATIONS

MODEL	HD-N04RI
Image Pick-Up Device	1/3" SONY SUPER HAD CCD
TV System	NTSC,PAL
No of Pixels	NTSC=768(H) * 494(V) / PAL=752(H) * 582(V)
Scanning System	2:1 Interlace
Sync System	Internal
Resolution	540TV Lines
Minimum Illumination	0.1 Lux
S/N Ratio	More than 46dB
Gamma Characteristic	r=0.45
Video Output	CVBS : 1.0Vp-p 75ohm
Electronic Shutter Time	NTSC=1/60sec~1/100,000sec / PAL=1/50sec~1/100,000sec
Power Supply	DC 12V
Power Consumption	120mA
Lens	3.4mm Cone Lens
Operational Temp.	-10 ~ +50 Deg C. RH 95% Max.
Storage Temp.	-20 ~ +60 Deg C. RH 95% Max.
Weight	300g

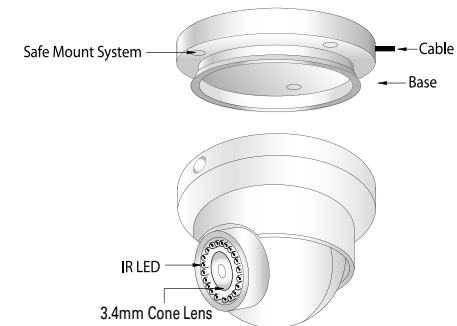
## General Features

- \* Third-Generation DSP Chip
- \* 1/3" Sony Super HAD CCD
- \* High Resolution 420/540 TV Lines
- \* Day/Night Capability

## Dimensions



## HOW To Install



## Camera Adjustment

- ① Connect Video & Power Line (12V DC Regulated Power).
- ② Please set the position where you want to connect the camera.
- ③ Loosen the locking screws and adjust camera angle.
- ④ Combine each camera part and lock & tighten each locking screw.